

MODEL PT-35

SPECIFICATIONS

Model PT-35 is a five tube superheterodyne radio, covering a frequency range from 540 to 1720 kilocycles (K. C.) on the broadcast band and 2.3 to 2.5 megacycles (M. C.) on the local police band.

INTERMEDIATE FREQUENCY: 470 K. C.

POWER SUPPLY: Operates on either a 115 volt alternating current (A. C.) or 115 volt direct current (D. C.) power supply.

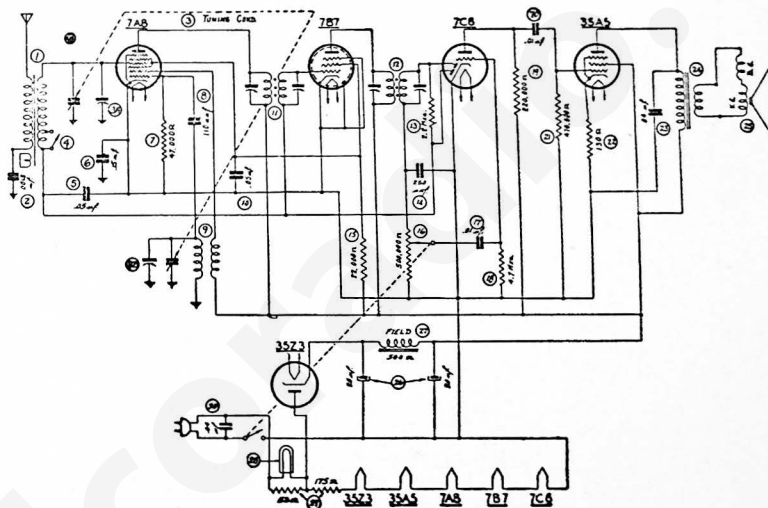
Note—If no sound is heard on D. C. circuits, after the tubes are sufficiently heated, reverse the plug of the cable in the

outlet. If a slight hum is heard when operating on an A. C. power supply, the power plug should also be reversed.

PHILCO TUBES USED: One 7A8, converter; one 7B7, I. F. amplifier; one 7C6, 2nd detector, 1st audio, A. V. C.; one 35A5, audio output and one 35Z3, rectifier.

AERIAL: A twenty foot indoor aerial wire is attached to the radio for average receiving conditions. To obtain best reception in apartment houses, hotels, or steel reinforced buildings, the Philco Utility Aerial, Part No. 40-6384, is recommended. A ground is not necessary with this model.

ALIGNING PROCEDURE: The instructions for adjusting the R. F. and I. F. compensators will be found on page 6.



REPLACEMENT PARTS

SCHE. No.	DESCRIPTION	PART No.	SCHE. No.	DESCRIPTION	PART No.	SCHE. No.	DESCRIPTION	PART No.
1	Antenna Transformer	32-3164	19	Resistor (220,000 ohms, ¼ watt)	33-422154	MISCELLANEOUS PARTS		
2	Tubular Condenser (.0015 mf., 200 v.)	30-4555S	20	Tubular Condenser (.01 mf., 400 v.)	30-4572S		Cable (Power)	1-3199
3	Tuning Condenser	31-2434	21	Resistor (470,000 ohms, ¼ watt)	33-447154		(for Speaker 36-1469-1)	36-4115
4	Switch	42-1406	22	Resistor (130 ohms, ½ watt)	33-11333S		Cabinet	1036711
5	Tubular Condenser (.05 mf., 200 v.)	30-4519S	23	Tubular Condenser (.04 mf., 400 v.)	30-4119S		Cardboard Back	27-9320
6	Tubular Condenser (.15 mf., 400 v.)	30-4505S	24	Output Transformer, Part of			Cone Assembly	
7	Resistor (47,000 ohms, ¼ watt)	33-347154		Speaker No. 36-1469-1	32-8047		(for Speaker 36-1469-9)	36-4113
8	Mica Condenser (110 mmf.)	30-1130		Speaker No. 36-1469-9	32-8044		(for Speaker 36-1469-2)	36-4132
9	Oscillator Transformer	32-3132		Speaker No. 36-1469-2	32-8044		Drive Arm (Pointer Drive)	56-1376
10	Tubular Condenser (.05 mf., 200 v.)	30-4519S	25	Speaker	36-1469		Drive Drum (Pointer Drive)	56-6033
11	1st I. F. Transformer	32-3149	26	Electrolytic Condenser	36-1469		Drive Shaft Assembly	31-2355
12	2nd I. F. Transformer	32-3150		(20-20 mf., 150 v.)	30-2382		Drive Core Assembly	31-2358
13	Resistor (2.2 meg., ¼ watt)	33-522154	27	Field Coil—Part of Speaker No.	36-1469		Grille Silk and Gasket Assembly	40-6452
14	Mica Condenser (250 mmf.)	01-0033	28	Pilot Lamp	34-2088		Knob Assembly	27-4899
15	Resistor (22,000 ohms, ¼ watt)	33-322334	29	Line Resistor	33-3387		Mounting Clip	28-5002
16	Volume Control (500,000 ohms)	33-5306	30	Tubular Condenser (.04 mf., 400 v.)	30-4119S		Rubber Tubing (Driving Arm)	27-9334
17	Tubular Condenser (.01 mf., 200 v.)	30-4479S					Spring (Drive Cord)	28-8751
18	Resistor (4.7 meg., ¼ watt)	33-547154					Socket (Tubes)	27-6130
							Socket Assembly (Pilot Lamp)	38-9825
							Speaker	36-1469